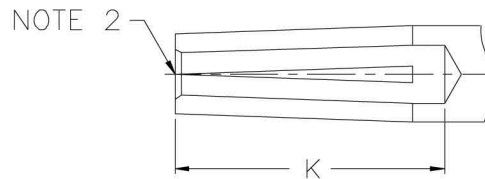
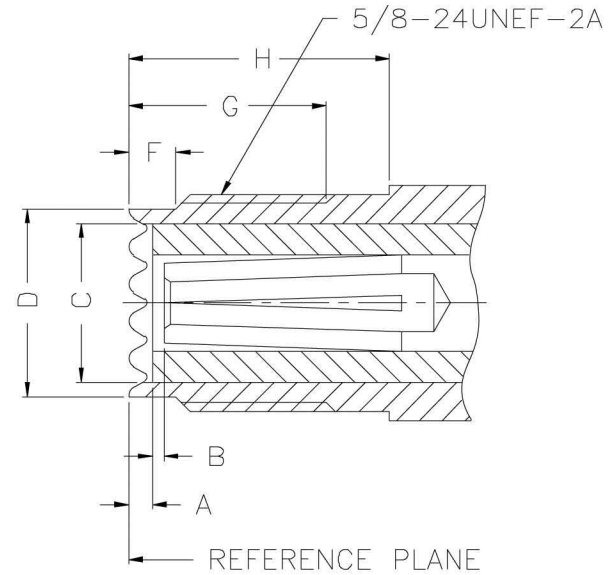
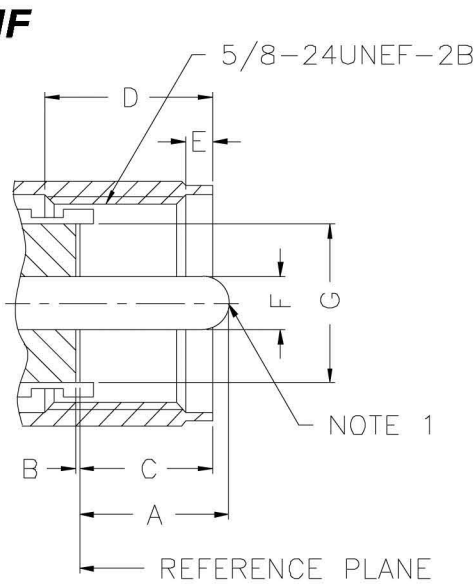


UHF MATING DIMENSIONS

INTERFACE MATING DIMENSIONS

UHF



PLUG		
Letter	Millimeters	
	Minimum	Maximum
A	-	11.10
B	0.00	-
C	-	9.91
D	8.76	-
E	1.19	4.27
F	3.91	4.01
G	11.56	12.22

JACK		
Letter	Millimeters	
	Minimum	Maximum
A	1.02	-
B	0.03	-
C	11.56	12.22
D	-	14.25
F	1.19	1.96
G	7.87	-
H	11.10	-
K	11.76	-

Note 1 : Form of inner conductor optional.
I.D. to meet good electrical contact.

Note 2 : When mated with 3.91/4.01 mm dia. pin.